

GENERAL INFORMATION

Controlling switched circuits is as simple as SmartSwitch, ETC's relay panel. SmartSwitch can be operated stand alone, with SmartLink, or DMX-controlled from another source. Designed to combine with matching SmartPack Wallmount dimming, SmartSwitch completes a budget-oriented control system.

SmartSwitch comes standard with SmartLink control. When used with the optional LinkPower Supply, the system allows up to four SmartLink Stations to be connected for remote operation of presets and sequences.

- APPLICATIONS** Ballrooms
Restaurants
Churches
Small performance spaces
Multi-purpose rooms
Entertainment facilities with DMX control
- PERFORMANCE** Safe and reliable operation
Switches relays all at once or variable delay
SmartLink, DMX-512 or Stand-Alone Control
Built-in presets and sequencer
- FEATURES** Up to 24 Aromat relays per panel
Mechanically latching relays
Single-space, single or double pole relays
120v to 277v switching and control input
20-amp rated contacts switch with no derating
Manual ON/OFF lever with indicator on relay
Relays can be added in the field
Voltage barrier for discrete relay power feeds
Optional LinkPower Supply for stations
UL-924 listed emergency contact input
Matches SmartPack Wallmount dimming
Common programming with SmartPack
Full compliance with UL, cUL, and FCC regulations

ORDERING INFORMATION

Standard SmartSwitch Relay Units

Model#	Description
SS-121P-LPS	SmartSwitch 12 - 20A Single Pole Relays with LinkPower Supply
SS-121P	12 - 20A Single Pole Relays
SS-241P-LPS	24 - 20A Single Pole Relays with LinkPower Supply
SS-241P	24 - 20A Single Pole Relays

No-Standard Model Numbering

	Qty	Single Pole	/	Qty	Double Pole	LinkPower
SS-	#	1P	/	#	2P	LPS

SmartSwitch (SS) – followed by the number of 1P relays, a forward slash, and then the number of 2P relays. Examples:

- SS-61P/62P** – Six 20A Single Pole relays and six 20A Double Pole relays
- SS-21P/102P** – Two 20A Single Pole relays and ten 20A Double Pole relays
- SS-121P/122P-LPS** – Twelve 20A Single Pole Relays, Twelve 20A Double Pole Relays, and internal LinkPower Supply

SmartSwitch Accessories

SS-1PRK	Single Pole Relay Kit
SS-2PRK	Double Pole Relay Kit
SS-RMK	19" Rack Mount Kit for SmartSwitch
SS-VB	SmartSwitch Voltage Barrier Kit

SmartLink Accessories



S-10005	SmartLink 5-Button Station*
S-10010	SmartLink 10-Button Station*
S-LPS	LinkPower Supply Kit

*Stations require one LinkPower Supply per system
Only one LinkPower Supply allowed per system
Four stations supported



SmartSwitch™ Relay Panel

Smart Solutions Series

SPECIFICATIONS

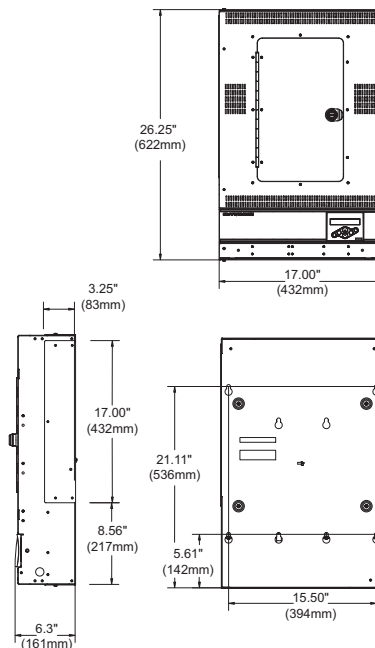
GENERAL	<p>Approvals and Certifications: Underwriters Laboratories tested and listed to the following standards: UL508 (File: E92154)</p> <p>Complies with ESTA DMX512-A Standard</p>
FEATURES	<p>SmartLink control for presets, and Sequence</p> <p>Optional LinkPower Supply powers four stations</p> <p>Advanced DMX control of relays: Selectable threshold level for on/off DMX addressing via keypad Soft patch any relay to any DMX channel Internal DMX termination switch DMX loss and power-up behavior</p> <p>32 programmable presets</p> <p>Sequencer with programmable times</p> <p>Switch all relays at once or select 0.5 to 60 second delay between relays (0.1s steps)</p> <p>UL924-listed contact input instantly switches selected relays on, while switching others off</p> <p>Multi-lingual interface – English, French, German and Spanish</p>
USER INTERFACE	<p>High-contrast 20-character by 2-line backlit LCD</p> <p>6-button menu-navigation keypad</p> <p>Power status indicator LED (blue)</p> <p>DMX status indicator LED (green)</p> <p>On/off status indicator for each relay</p>
MECHANICAL	<p>Panel consists of enclosure, cover with locking door, and internal sub-panel</p> <p>ENCLOSURE: 16-gauge steel construction</p> <p>Black, fine-textured, scratch-resistant paint</p> <p>Removable conduit panels on top, bottom and sides</p> <p>Full front access (side clearance not required)</p> <p>Optional 19" rack mount kit (requires 15u spacing)</p> <p>COVER & DOOR: Removable cover allows access to all AC and Class 2 wiring</p> <p>Locking door allows controlled access to manual switch of each relay and Class 2 wiring only</p> <p>SUB-PANEL: Removable sub-panel containing the electronics and relays can ship separately – contact ETC</p> <p>All low-voltage wiring is physically separated from AC by a mechanical barrier</p>
ELECTRICAL	<p>Single panel for up to 24 relays, populated in any combination of single-space, single or double pole</p> <p>Separate chambers for Class 1 and Class 2 wiring</p> <p>Optional Voltage Barriers install without tools between any relay for partitioning between multiple voltages and/or Emergency circuits</p>

CONTROL ELECTRONICS	<p>Input: 120V or 277V (+/- 15%), 60Hz, >8 amps</p> <p>Dual-tap transformer primary screw terminals accept up to 12AWG wire</p>
CONTROL WIRING	<p>Easy-access flip-down door for all control wiring</p> <p>Removable terminals for DMX512, SmartLink and UL924-listed Emergency Contact Input</p> <p>Control terminals accept maximum of 12AWG wire</p> <p>All control wiring exiting the enclosure is Class 2 – limited energy</p>
RELAYS RATINGS	<p>20A 300V General Purpose</p> <p>20A 300V Ballast (HID)</p> <p>2400W Tungsten @120V</p> <p>0.5 HP @ 120V Motor Load</p> <p>1.5 HP @ 240/277 Motor Load</p> <p>SSCR: 5,000A @ 120V and 277V</p> <p>Inrush: 2000A</p> <p>Isolation: 2,500V RMS</p> <p>State: Latching</p> <p>Life: 60,000 cycles at full load</p> <p>Terminal: Accepts 12-14AWG copper wire</p>
THERMAL	<p>Ambient operation temperature between 0°C (32°F) and 45°C (104°F)</p> <p>Humidity between 10-90% (non-condensing)</p> <p>Convection cooled</p>

PHYSICAL

SmartSwitch Dimensions

Model	Height		Width		Depth		Weight	
	inches	mm	inches	mm	inches	mm	lbs	kg
SS-121P	26.25	622	17.00	432	6.3	161	29.80	13.51
SS-241P	26.25	622	17.00	432	6.3	161	44.75	20.29



Corporate Headquarters ■ 3031 Pleasant View Rd, PO Box 620979, Middleton WI 53562 0979 USA ■ Tel +1 608 831 4116 ■ Fax +1 608 836 1736
London, UK ■ Unit 26-28, Victoria Industrial Estate, Victoria Road, London W3 6UU, UK ■ Tel +44 (0)20 8896 1000 ■ Fax +44 (0)20 8896 2000
Rome, IT ■ Via Ennio Quirino Visconti, 11, 00193 Rome, Italy ■ Tel +39 (06) 32 111 683 ■ Fax +39 (06) 32 656 990
Holzkirchen, DE ■ Ohmstrasse 3, 83607 Holzkirchen, Germany ■ Tel +49 (80 24) 47 00-0 ■ Fax +49 (80 24) 47 00-3 00
Hong Kong ■ Room 605-606, Tower III Enterprise Square, 9 Sheung Yuet Road, Kowloon Bay, Kowloon, Hong Kong ■ Tel +852 2799 1220 ■ Fax +852 2799 9325
Web ■ www.etcconnect.com ■ Copyright © 2005 ETC. All Rights Reserved. All product information and specifications subject to change. 7023L1001 Rev. A Printed in USA 08/05